

LED STREET LIGHT FAMILY

# HAMBURG



**B3 GERMANY**  
THE MASTERS OF LIGHT



## HAMBURG LED STREET LIGHT FAMILY

The HAMBURG LED street light family is characterized by a contemporary, fashionable design. It was developed according to modern design principles with sustainable energy saving concepts in mind. You can choose from three different sizes, all of which can be attached either atop the mast or on a boom. This will afford you great flexibility for achieving uniform and homogenous lighting solutions for traffic lanes, sidewalks, parking lots and public spaces.





120/135 lm/W	-35 °C +50 °C	<b>THD</b> < 20 %	90 V - 305 V	<b>IP</b> 66	5 years
<b>CRI</b> > 70	10 % - 90 %	<b>PF</b> > 0.95	10 kV 10 kA	<b>IK</b> ≥ 08	50 000 hours

TECHNICAL SPECIFICATIONS*	HAMBURG L180 TYPE A	HAMBURG L150 TYPE A	HAMBURG L120 TYPE A
<b>Wattage</b>	180 W	150 W	120 W
<b>Voltage range</b>	90 - 305 V	90 - 305 V	90 - 305 V
<b>Chip</b>	Lumileds 3030   5050	Lumileds 3030   5050	Lumileds 3030   5050
<b>Chip quantity</b>	224 pcs.   48 pcs.	168 pcs.   48 pcs.	144 pcs.   32 pcs.
<b>Luminous efficacy</b>	120 lm/W   135 lm/W	120 lm/W   135 lm/W	120 lm/W   135 lm/W
<b>Driver</b>	Inventronics / Meanwell	Inventronics / Meanwell	Inventronics / Meanwell
<b>Power factor</b>	> 0.95	> 0.95	> 0.95
<b>CCT</b>	3000 - 6500 K	3000 - 6500 K	3000 - 6500 K
<b>CRI</b>	> 70	> 70	> 70
<b>Surge protection</b>	10 KV + 10 KA	10 KV + 10 KA	10 KV + 10 KA
<b>Operating temperature</b>	-35 to +50 °C	-35 to +50 °C	-35 to +50 °C
<b>Protection class</b>	Class I / II	Class I / II	Class I / II
<b>IP rating</b>	IP66	IP66	IP66
<b>IK rating</b>	IK08	IK08	IK08
<b>Rated lifetime</b>	> 50 000 hours	> 50 000 hours	> 50 000 hours
<b>Housing material</b>	Die-cast aluminum	Die-cast aluminum	Die-cast aluminum
<b>Photocell base</b>	Yes	Yes	Yes
<b>Installation spigot</b>	50 / 60 / 76 mm	50 / 60 / 76 mm	50 / 60 / 76 mm
<b>Control system</b>	Optional	Optional	Optional
<b>Warranty</b>	5 years	5 years	5 years
<b>Certifications</b>	ENEC / CE / CB / RoHS	ENEC / CE / CB / RoHS	ENEC / CE / CB / RoHS
<b>Fitting size</b>	798 x 380 x 163 mm	798 x 380 x 163 mm	798 x 380 x 163 mm
<b>Packing size</b>	850 x 435 x 200 mm	850 x 435 x 200 mm	850 x 435 x 200 mm
<b>Net weight</b>	9.8 kg	9.6 kg	9.6 kg
<b>Gross weight</b>	11.0 kg	10.8 kg	10.8 kg

\*Technical specifications subject to change at any time.

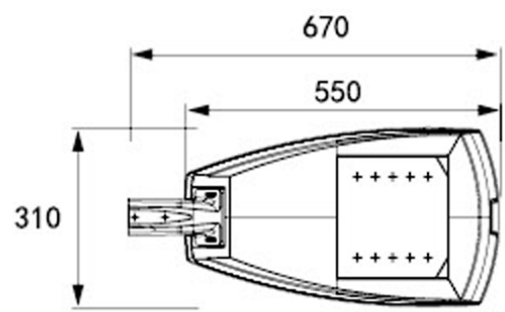
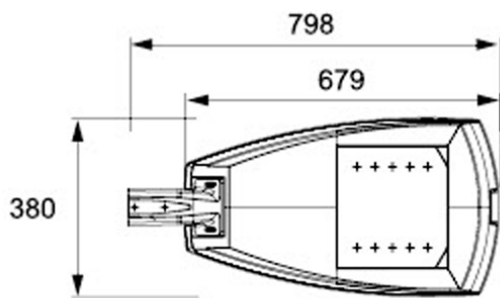
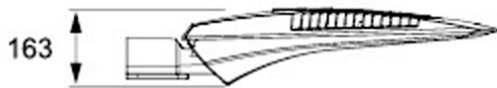


<b>HAMBURG M100 TYPE B</b>
100 W
90 - 305 V
Lumileds 3030   5050
108 pcs.   32 pcs.
120 lm/W   135 lm/W
Inventronics / Meanwell
> 0.95
3000 - 6500 K
> 70
10 KV + 10 KA
-35 to +50 °C
Class I / II
IP66
IK08
> 50 000 hours
Die-cast aluminum
Yes
50 / 60 / 76 mm
Optional
5 years
ENEC / CE / CB / RoHS
670 x 310 x 145 mm
710 x 360 x 200 mm
6.7 kg
7.7 kg

<b>HAMBURG M80 TYPE B</b>
80 W
90 - 305 V
Lumileds 3030   5050
96 pcs.   24 pcs.
120 lm/W   135 lm/W
Inventronics / Meanwell
> 0.95
3000 - 6500 K
> 70
10 KV + 10 KA
-35 to +50 °C
Class I / II
IP66
IK08
> 50 000 hours
Die-cast aluminum
Yes
50 / 60 / 76 mm
Optional
5 years
ENEC / CE / CB / RoHS
670 x 310 x 145 mm
710 x 360 x 200 mm
6.7 kg
7.7 kg

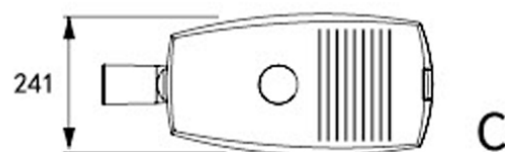
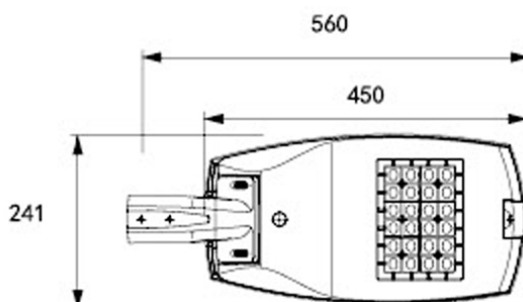
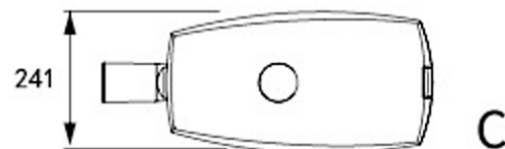
<b>HAMBURG S60 TYPE C</b>
60 W
90 - 305 V
Lumileds 3030   5050
72 pcs.   24 pcs.
120 lm/W   135 lm/W
Inventronics / Meanwell
> 0.95
3000- 6500 K
> 70
10 KV + 10 KA
-35 to +50 °C
Class I / II
IP66
IK08
> 50 000 hours
Die-cast aluminum
Yes
50 / 60 mm
Optional
5 years
ENEC / CE / CB / RoHS
560 x 241 x 111 mm
610 x 280 x 150 mm
5.0 kg
5.7 kg

<b>HAMBURG S40 TYPE C</b>
40 W
90 - 305 V
Lumileds 3030   5050
48 pcs.   16 pcs.
120 lm/W   135 lm/W
Inventronics / Meanwell
> 0.95
3000 - 6500 K
> 70
10 KV + 10 KA
-35 to +50 °C
Class I / II
IP66
IK08
> 50 000 hours
Die-cast aluminum
Yes
50 / 60 mm
Optional
5 years
ENEC / CE / CB / RoHS
560 x 241 x 111 mm
610 x 280 x 150 mm
5.0 kg
5.7 kg



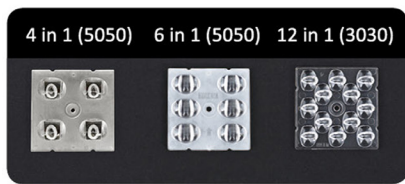
A

B



C

C



LED lens type



Cut-off switch



Driver  
SPD



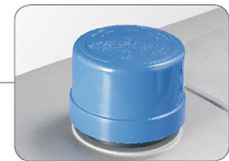
Filter



Easy open



Heat sink design



Photocell

## BESPOKE SOLUTIONS

The lighting specialists of B3 GERMANY can adapt all of the basic HAMBURG configurations to your very specific project needs. The basic models listed in this product data sheet serve only as a reference point.

## B3 SMART CITY CONTROL SYSTEM

The HAMBURG street light family can be optionally equipped with our Smart City control system. In addition to realizing energy savings of up to 35% through intelligent dimming, myriad other functions improve the quality of light and life in your city. Groups of street lights can be linked into mesh or tree topologies with different communication technologies, including RF, LoRa and PLC. Data concentrators allow you to easily and comfortably manage all Smart City functions remotely from a central control room via RF or GSM / GPRS / 3G.

Key features of the B3 Smart City control system include:

- On/off control
- Dimming control
- Timed control
- Consumption monitoring
- Data Storage
- Group management
- Fault alerts
- Status inquiry



individually, customized, dimming, create your light



**B3 GERMANY**  
THE MASTERS OF LIGHT

**B3 GERMANY**  
Rua Conselheiro Moreira de Barros, 2573  
São Paulo SP, CEP 02430-00

Tel. +55 (11) 98871-0115  
[www.b3germany.com](http://www.b3germany.com)